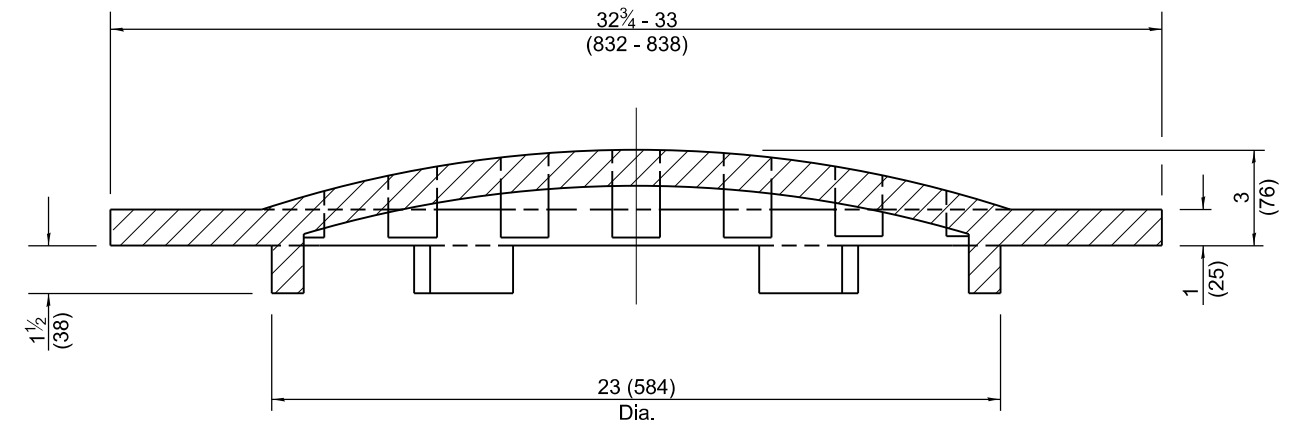


6 lugs shown,
3 permitted.

A
↑


↑
A

CAST GRATE



SECTION A-A

All dimensions are in inches (millimeters)
unless otherwise shown.

 Illinois Department of Transportation
 APPROVED Michael Beard January 1, 2015
 ENGINEER OF POLICY AND PROCEDURES
 APPROVED [Signature] January 1, 2015
 ENGINEER OF DESIGN AND ENVIRONMENT

ISSUED 1-1-97

DATE	REVISIONS
1-1-15	Revised dimensions.
1-1-09	Switched units to English (metric).

GRATE TYPE 8

STANDARD 604036-03