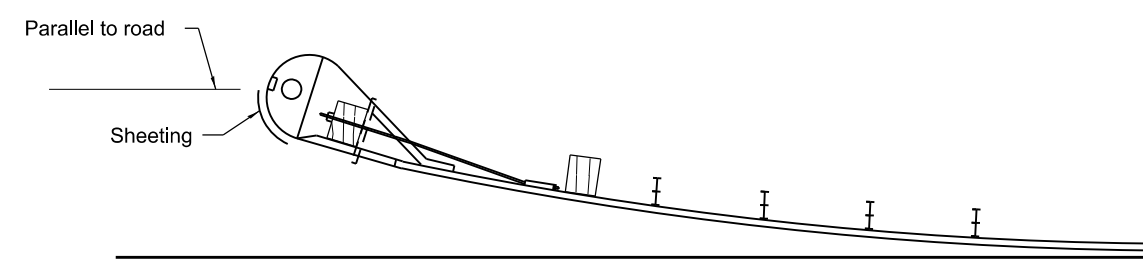
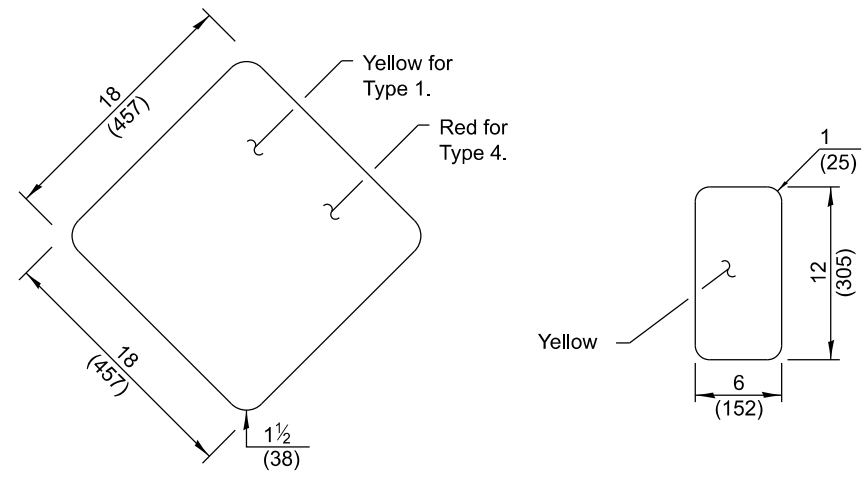


CASE I

CASE II

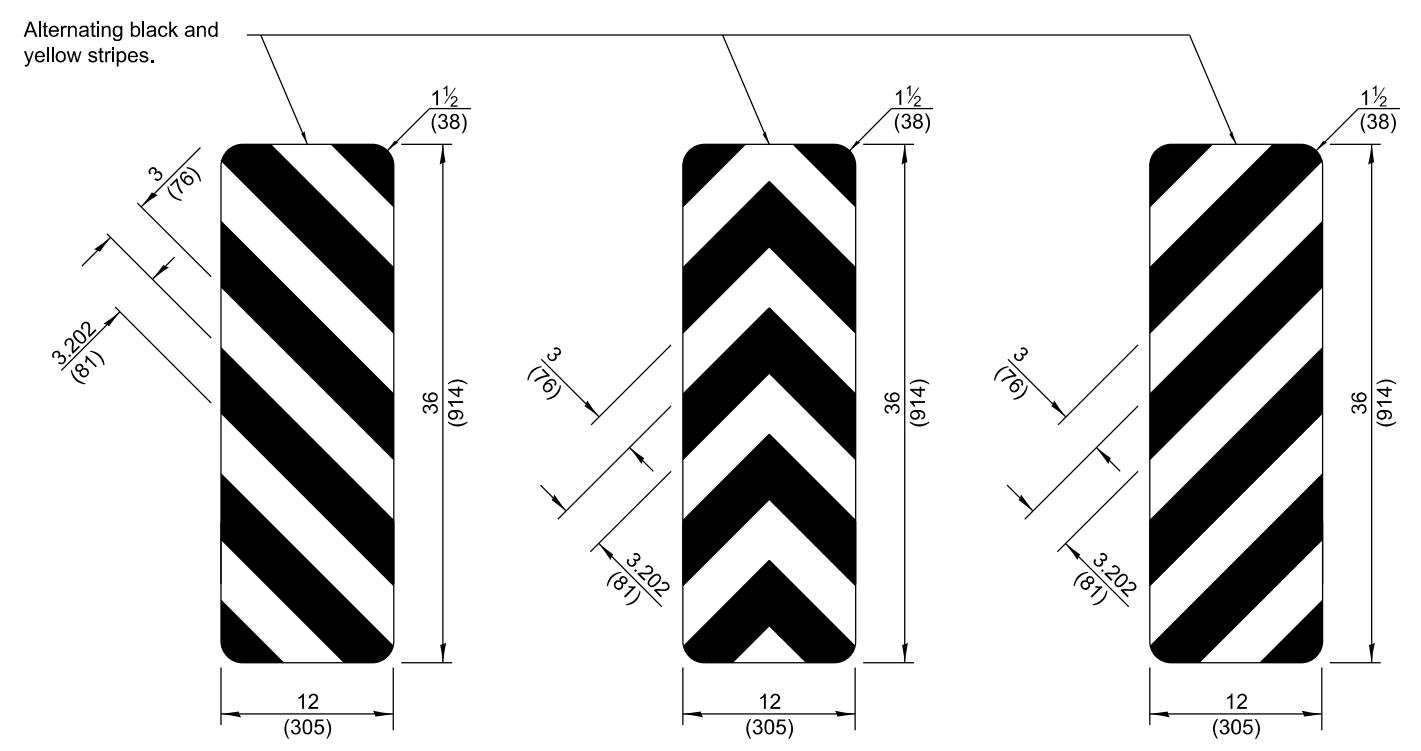


SHEETING POSITION: CASE II



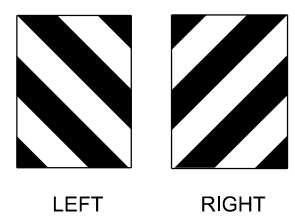
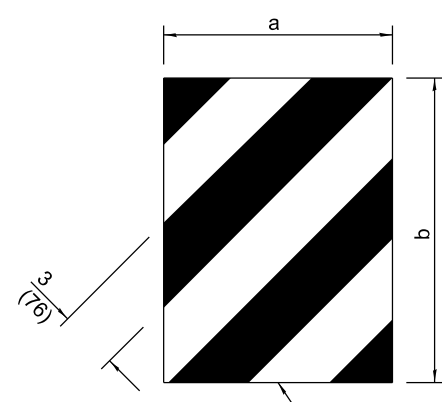
TYPE 1 OR TYPE 4

TYPE 2



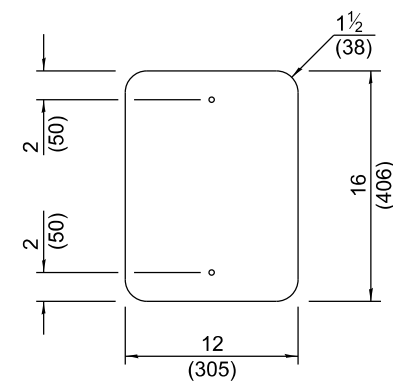
TYPE 3

OBJECT MARKER DETAILS



DIMENSION	CASE I	CASE II
a	*	18 (450)
b	*	16 (406)

DIRECT APPLIED



POST MOUNTED

TERMINAL MARKER DETAILS

Color: Black / Yellow reflectorized

* The width and height (a, b) of the terminal marker shall be within approximately 1 (25) of the outer edge of the terminal end.

GENERAL NOTES

See detail on Standard 729001 for mounting markers to posts.

All dimensions are in inches (millimeters) unless otherwise shown.

Illinois Department of Transportation

APPROVED January 1, 2017
Amy Allen
 ENGINEER OF OPERATIONS

APPROVED January 1, 2017
Maureen M. O'Neil
 ENGINEER OF DESIGN AND ENVIRONMENT

ISSUED 1-1-16

DATE	REVISIONS
1-1-17	Omitted minimum reflective area requirement for terminal marker.
4-1-16	Renumbered standard from 635006.

OBJECT AND TERMINAL MARKERS

STANDARD 725001-01