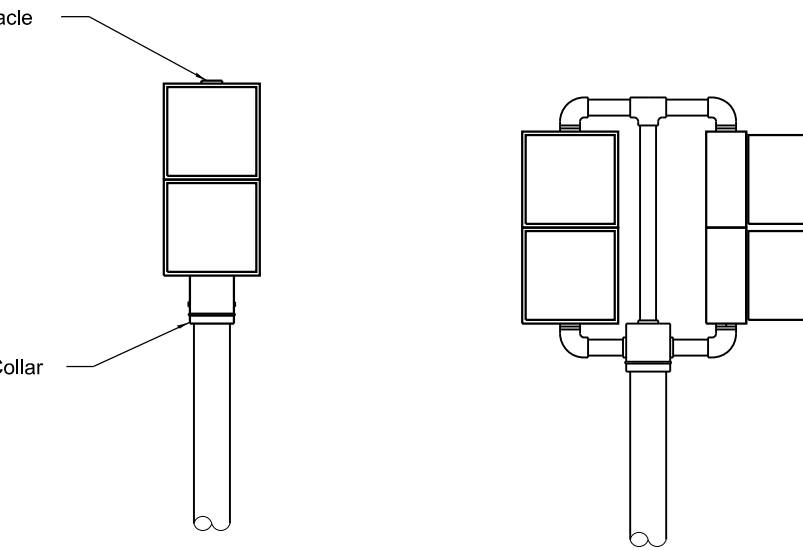


**POST MOUNTED
TRAFFIC SIGNAL HEAD**

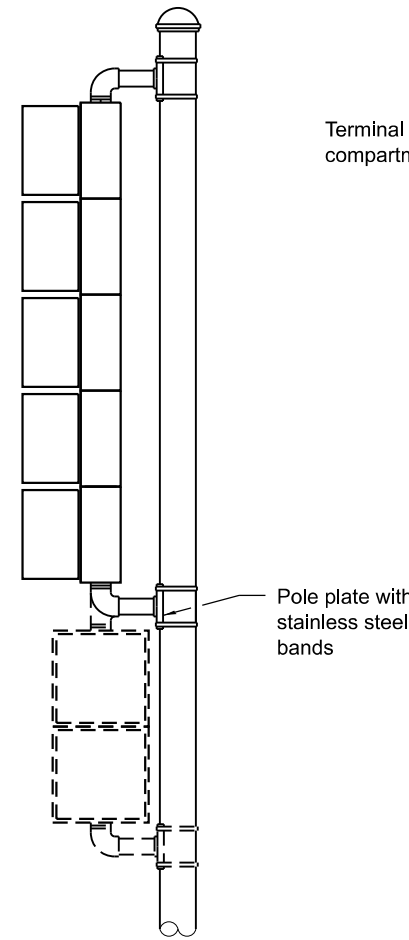
ONE WAY



**POST MOUNTED
PEDESTRIAN SIGNAL HEAD**

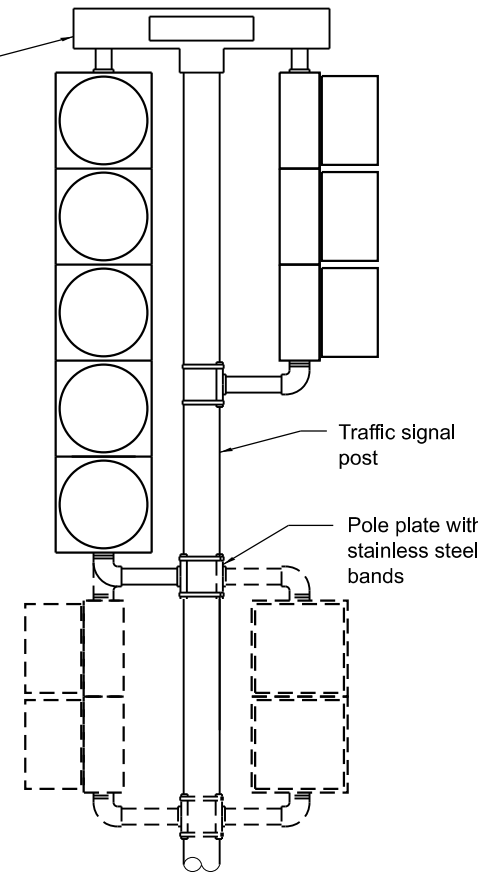
**POST MOUNTED
PEDESTRIAN SIGNAL HEAD**

TWO WAY



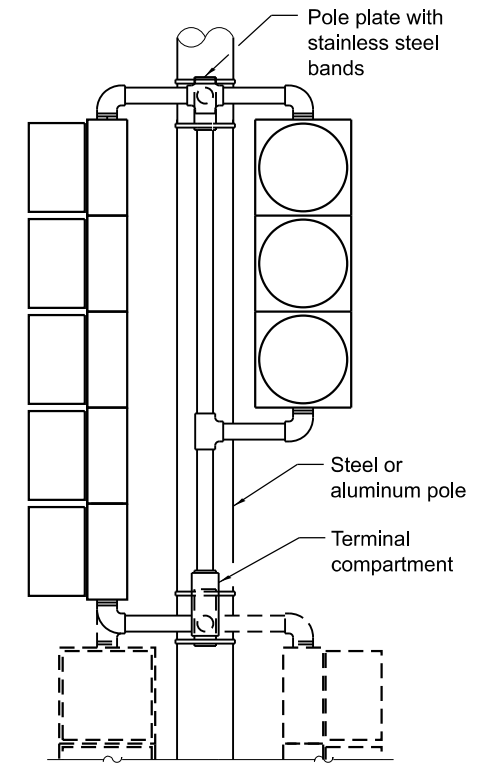
**BRACKET MOUNTED
TRAFFIC SIGNAL HEAD**

ONE WAY

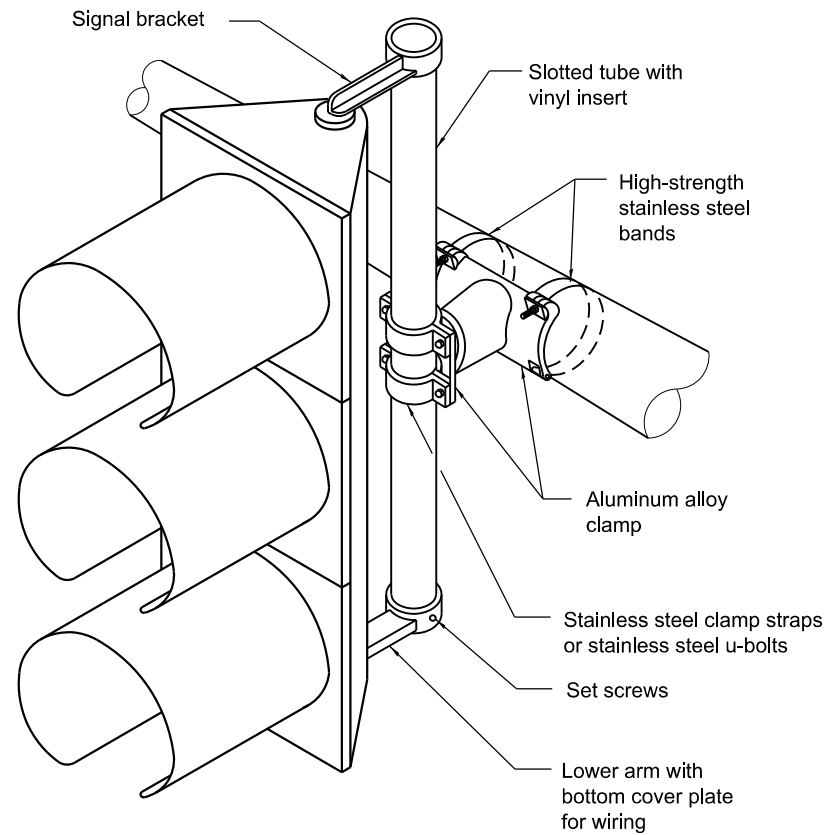


**BRACKET MOUNTED
TRAFFIC SIGNAL HEAD**

TWO WAY

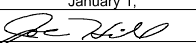


**BRACKET MOUNTED
TRAFFIC SIGNAL HEAD**



STEEL MAST ARM MOUNTING

Illinois Department of Transportation

APPROVED January 1, 2009

 ENGINEER OF OPERATIONS

APPROVED January 1, 2009

 ENGINEER OF DESIGN AND ENVIRONMENT

ISSUED 1-1-02

DATE	REVISIONS
1-1-09	Omitted note regarding units of length.
1-1-02	Renum. Standard 840006.

**TRAFFIC SIGNAL
MOUNTING DETAILS**

STANDARD 880006-01